

EXPERTISE SINCE 2018

DO YOU NEED A **EXPERT ENGINEER**

We Design Your Dream Come True!



ARCHITECTURE DESIGN
HOME | OFFICE | INDUSTRY



MECHANICAL DESIGN
Drafting | 3D Modeling



CAD DRAFTING
2D,3D Drafting Services



PRODUCT DESIGN CONSULTANT
Commercial | Industrial Product Design



MECHANICAL ANALYSIS
Reduce cost and projects timeline



REVERSE ENGINEERING
Disassembly | analyzing | measuring



www.insightengdesign.com



+91-9470962850



insightdesignconsultant

Insight Design Consultant is established in 2018 and it is subsidiary of Insight Infosystem Private Limited. IDC offers Mechanical Drafting Services, CAD Services, Product Design Services, Architecture Design, Documents Conversion as well as Mechanical Analysis Services. Our team of expert engineers and designers can help convert your conceptual ideas into 3D Models. These models can be used to reduce overhead and operational costs.

Our team is a solidly built group of engineers and designers who have built strong relationships with clients. We are committed to staying up to date in planning, designing, building, and flexibility.

Our Aims and Core Values

Insight value is at the heart of our business. We have developed a method for guiding our clients and team members as we wish to promote innovation, integrity, accountability, commitment, efficiency, sustainable growth, collaboration, and customizable solutions.

Why Choose Us?

Working with a trusted partner will ensure your success. Our expertise, insight, and support will help propel your business to greater heights.

Below mentioned are our expertise-

- Customer-centric engagement model
- Employer of 15+ Professionals
- Designs based on project requirements, ability to increase resources
- Delivery of projects within the deadlines proposed
- You have two options for pricing- fixed price or hourly basis
- Client data confidentiality and data security is maintained strictly

We offer solutions to a dynamic environment in which technology and business strategies intersect. We offer quality solutions because of our flexibility and combined with our vast experience and rich resource base.

Insight Design Consultant supports clients in all phases of product development, including construction, automotive, heavy engineering, oil & gas and civil engineering. We have worked on large-scale projects with clients all over India.

OUR EXPERTISE

- 4+ Years Expertise
- 100+ CAD projects done
- 5+ Certified Designer
- 15 Team strength
- 50+ Machining and fabrication projects

OUR DESIGN & MANUFACTURING SERVICES

CAD DRAFTING

- 2D and 3D CAD Drawings
- CAD Conversion
- Fabrication Drawings
- Assembly Drawings with BOM
- Components Drawings
- Manufacturing Detail Drawings
- Mechanical Drafting Drawings
- Casting Drawings
- Sheet Metal Design Drafting
- Millwork & Casework Drawings
- Furniture Drawings
- As-built and Markup Drawings

MECHANICAL DESIGN

- Converting conceptual sketches and 2D to 3D CAD modeling and PMI annotations
- Developing 2D drafts for fabrication, installation and assembly
- Machine & tool design including fasteners, jigs and fixtures, assembly, part and component models
- Design & specification of material handling equipment including conveyors, cranes, hoist, pig launcher & receivers
- Pump, Compressors & Turbine Design along with heating, cooling and ventilation system designs
- Design specification and stress analysis for pressure vessel, storage tank and piping design

STRUCTURAL DESIGN SERVICES

- Steel detailing for process industry piping
- Precast and prefabrication joints detailing
- Metal roofs and industrial shelter detailing
- Metal detailing
- Column-Beam joints steel detailing
- Fabrication Drawings
- Working drawings for structures
- Erection drawings & GA diagrams
- Construction Shop Drawings
- Stair Shop drawing
- Revit structural services



MEP DESIGN & DRAFTING SERVICES

- MEP Design & Drafting
- MEP 3D Modeling Services

3D VISUALISATION SERVICES

- 3D Modeling
- 3D Rendering & Animation Services
- 3D Furniture Modeling

FEA / MECHANICAL ANALYSIS

- Structural Analysis
- Thermal Analysis
- Stress, Fracture , Fatigue Analysis

REVERSE ENGINEERING SERVICES

Reverse engineering services to help you get detailed 3D models from physical components of any equipment or product.

PIPING DESIGN & DRAFTING

- Piping Design Services
- 3D Modeling Services
- Piping Stress Analysis

ARCHITECTURE DESIGN SERVICES

- 2D Plan Drawing
- 3D Elevation Services
- 3D Rendering & Walk in Video

OUR RATE

ARCHITECTURE PLAN DRAWING

RS. 4/- PER SQ. FEET

ARCHITECTURAL WORKS

AR DRAWING, STR DRAWING, ELECTRICAL, PLUMBING, 3D VIEWS

RS. 10/- PER SQ. FEET

INTERIOR WORKS

INTERIOR DRAWINGS, ELECTRICAL, PLUMBING, FURNITURE LAYOUT, 3D

RS. 25/- PER SQ. FEET

ALL CAD SERVICES

\$ 7/- PER HOUR

ALL FEA SERVICES

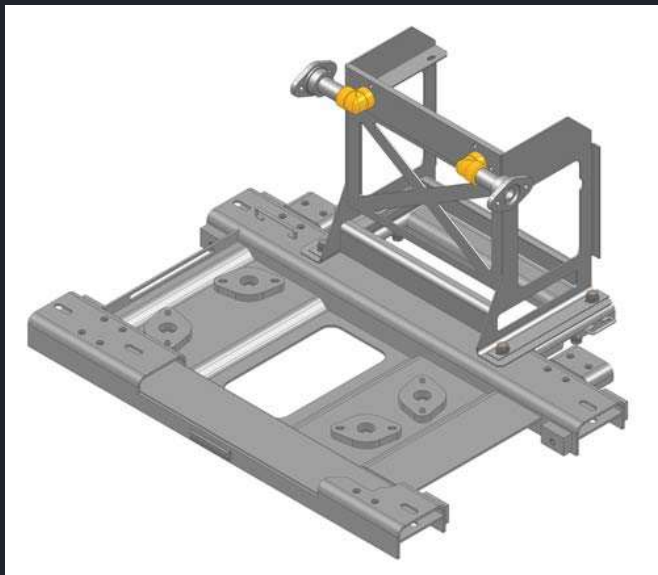
\$ 12 /- PER HOUR

TECHNICAL CONSULTANCY

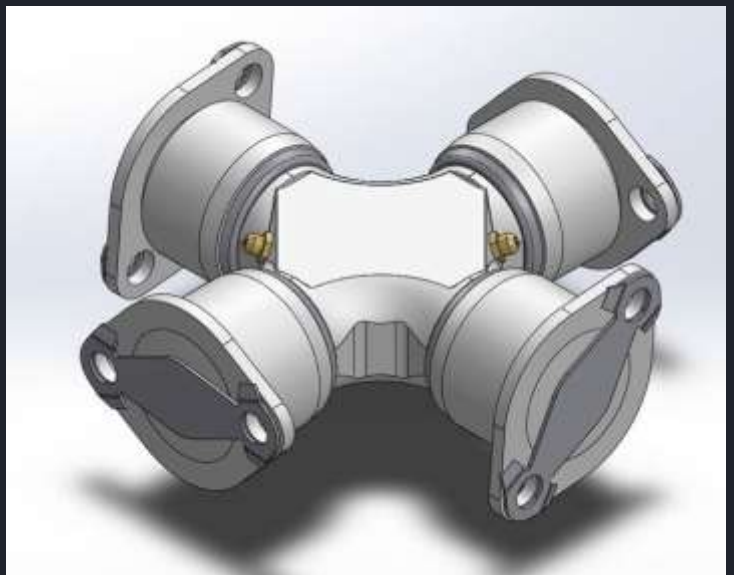
\$ 25/- PER HOUR

MACHINING / MANUFACTURING

GET QUOTE



Sheet Metal Part Model



Reverse-engineering-of-break-drum-

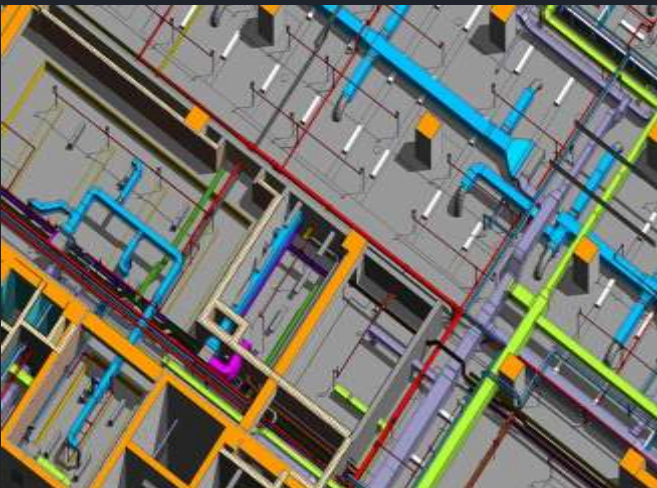
[GET QUOTE : connect@insightenggdesign.com](mailto:connect@insightenggdesign.com)



3D Plan Elevation



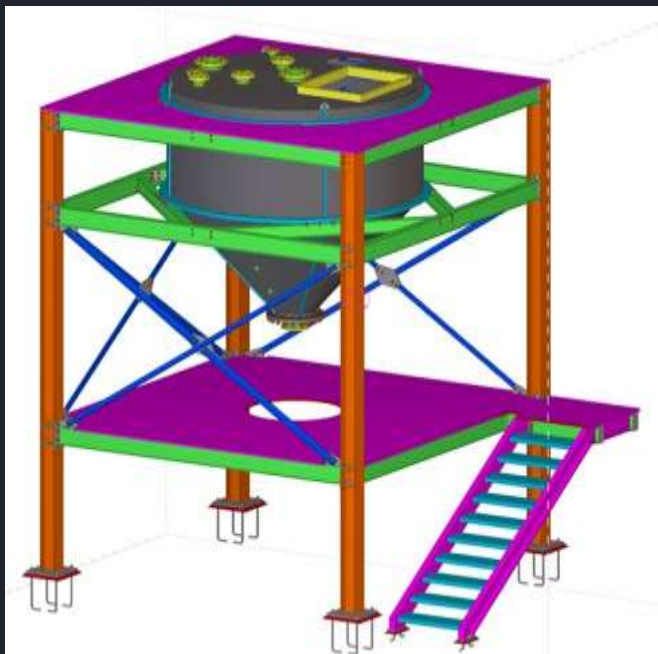
Millwork-drawing-for-shop-furniture



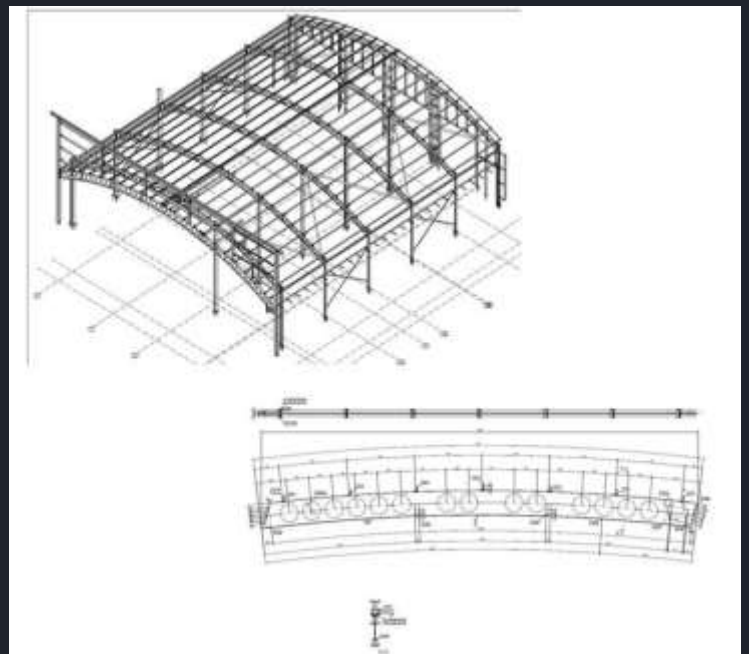
MEP 3D Modeling



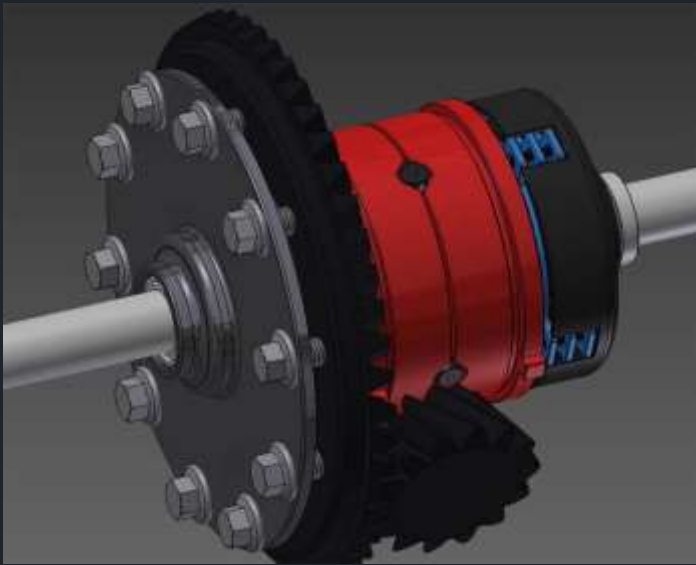
BIM-mep-3d-model



Detailing-for-industrial steel-structure



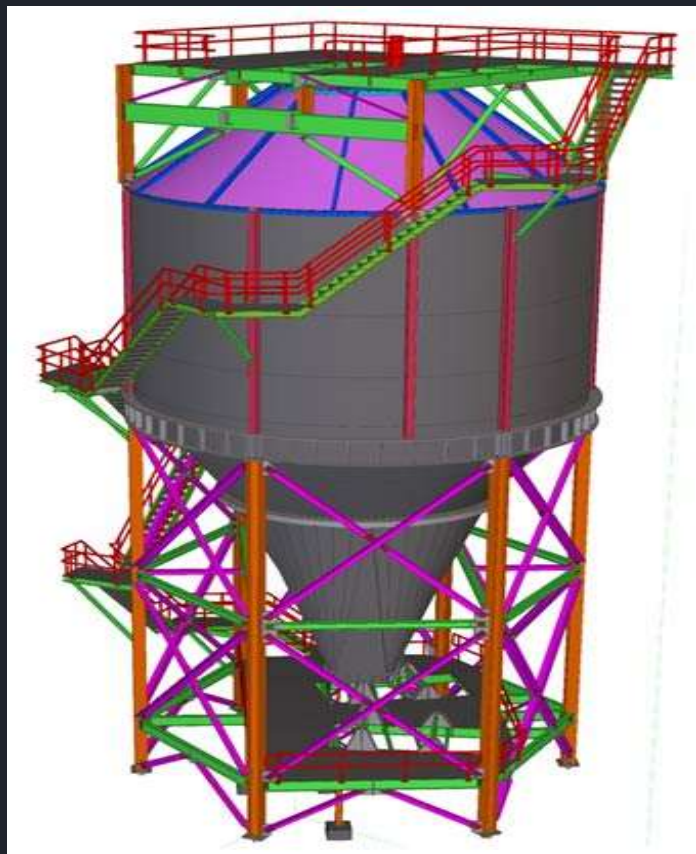
Structural Design



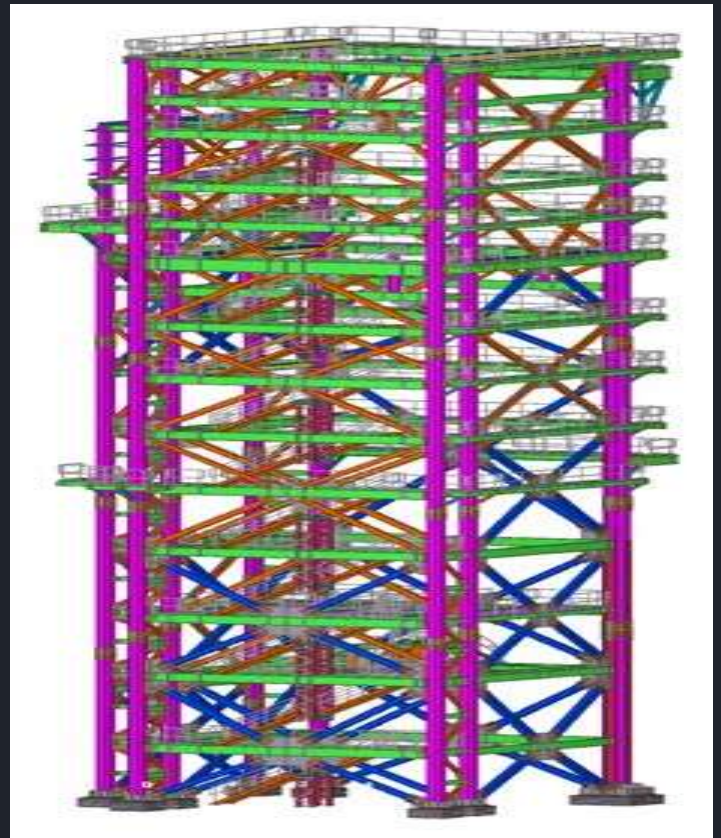
3D CAD Product Model



3D CAD Modeling



Detailing of Industrial Steel Structure



Steel Detailing for Boiler Support Structure



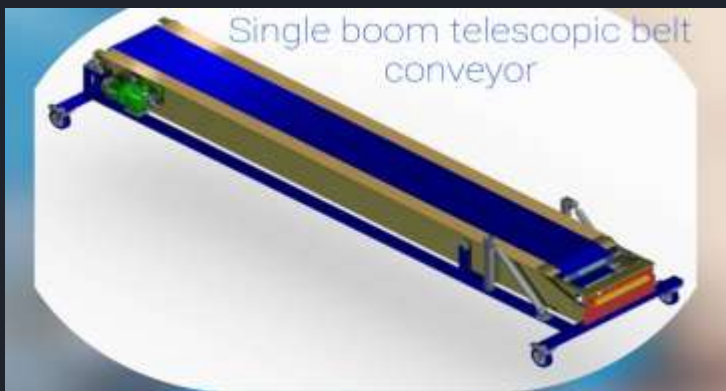
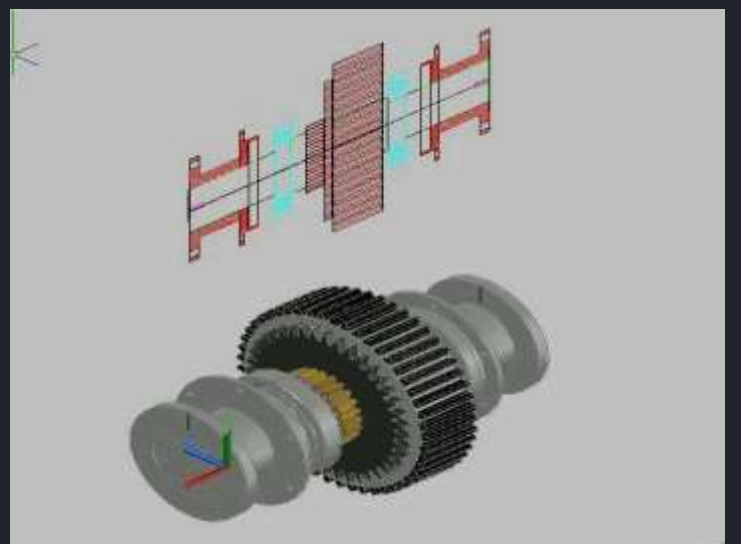
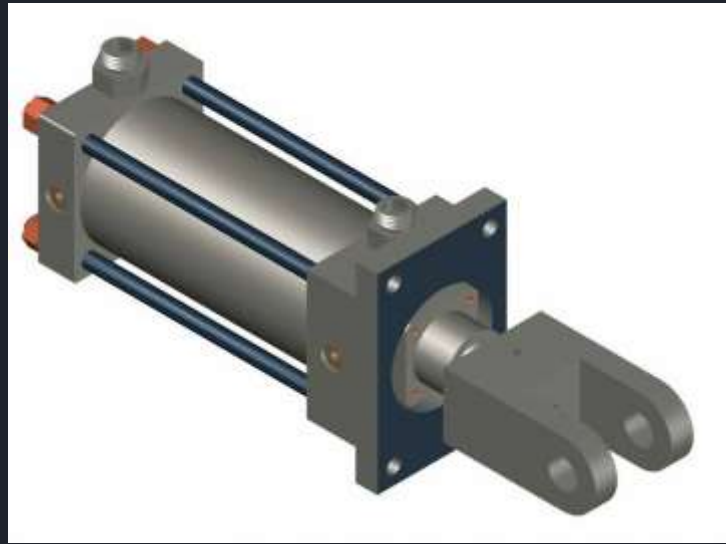
Belt Conveyor



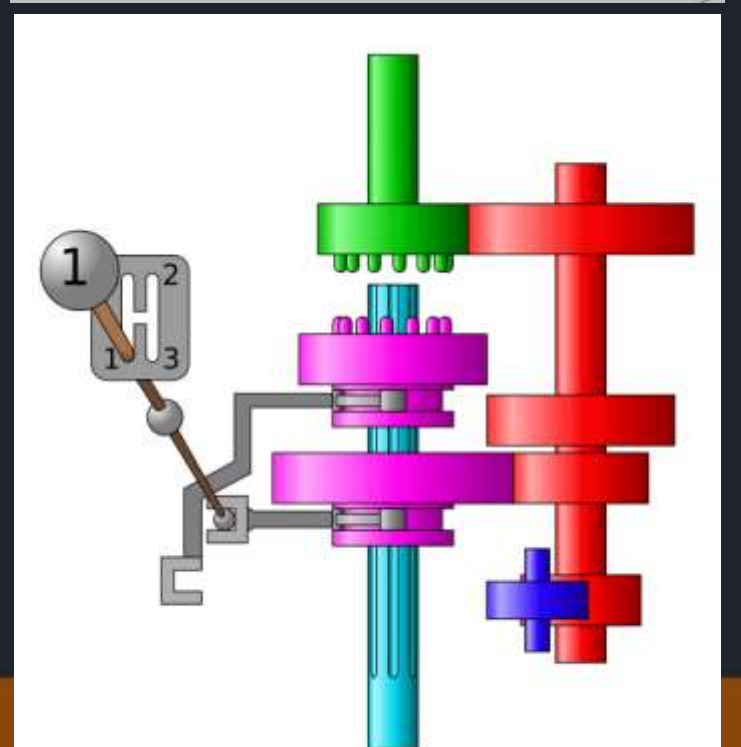
VERTICAL CHAIN CONVEYOR



Truck Load Conveyor



Single boom telescopic Belt Conveyor



Gear Mechanism Animation

DC INSIGHT™ DESIGN CONSULTANT

■ ■ ■ *The design for engineering* ■ ■ ■



www.insightenggdesign.com

connect@insightenggdesign.com



[+91-9470962850](tel:+91-9470962850) | [+91-9204107152](tel:+91-9204107152)



@ [insightdesignconsultant](#)



302 Lane 10 Kasidih Kalimati Road, Sakchi, Jamshedpur Jharkhand 831001

Plot No- 38 Flat No- A/3 Surbhi Apartment Saraswati Vihar Colony,
behind Bhang Lown, Trimurtee Nagar, Nagpur, Maharashtra 440022